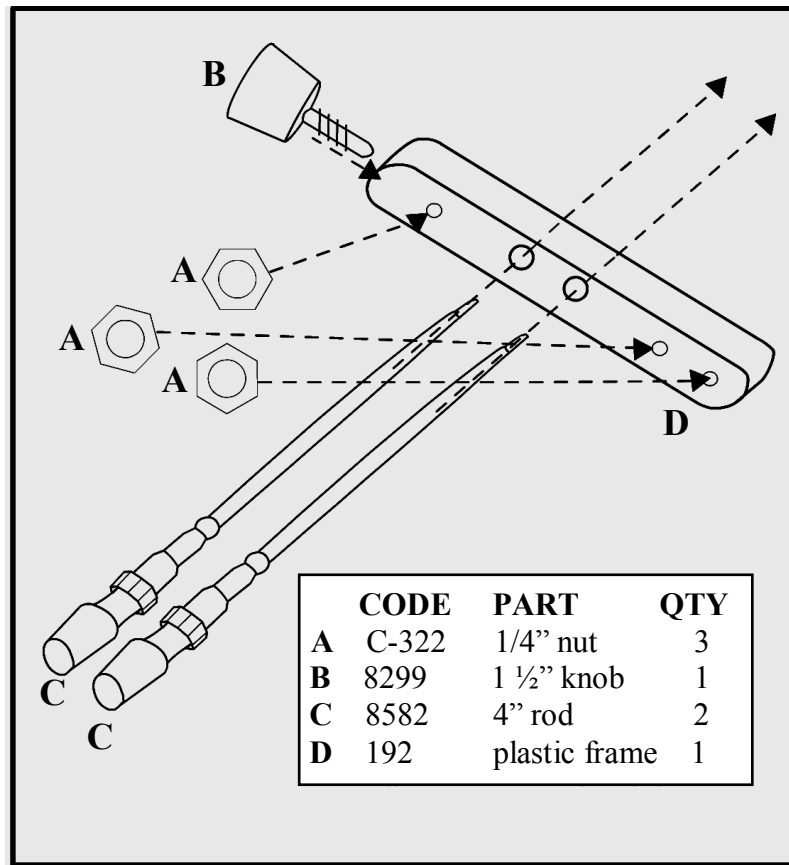


# Activity & Worksheet 1

## Assembly Diagram



**Skills:** Numeracy, Document Use  
**Profiled:** Assembly  
**Other Applications:** All



Unit  
**JKX-113**  
Stuff-Co  
International

Use the *Assembly Diagram* to answer these questions:

1. How many 1/4" nuts are used to assemble one unit?

---

2. What is the code number for the 4" rods used?

---

3. How many different parts are used to assemble one unit?

---

4. How many pieces in total are needed to assemble one unit?

---